

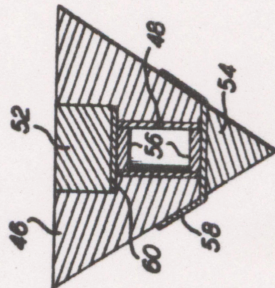
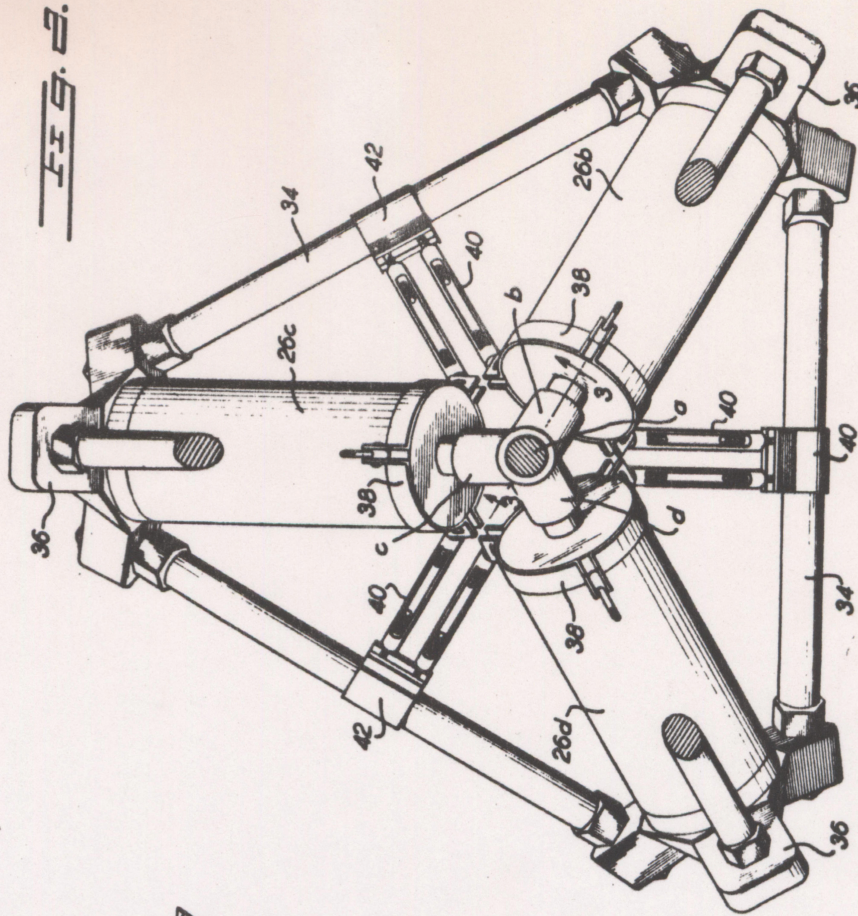
Dec. 29, 1959

H. T. HALL
HIGH PRESSURE PRESS

2,918,699

Filed April 28, 1958

3 Sheets-Sheet 2



INVENTOR.
HOWARD T. HALL
BY *Harold T. Stowell*
Harold H. Stowell
ATTORNEYS

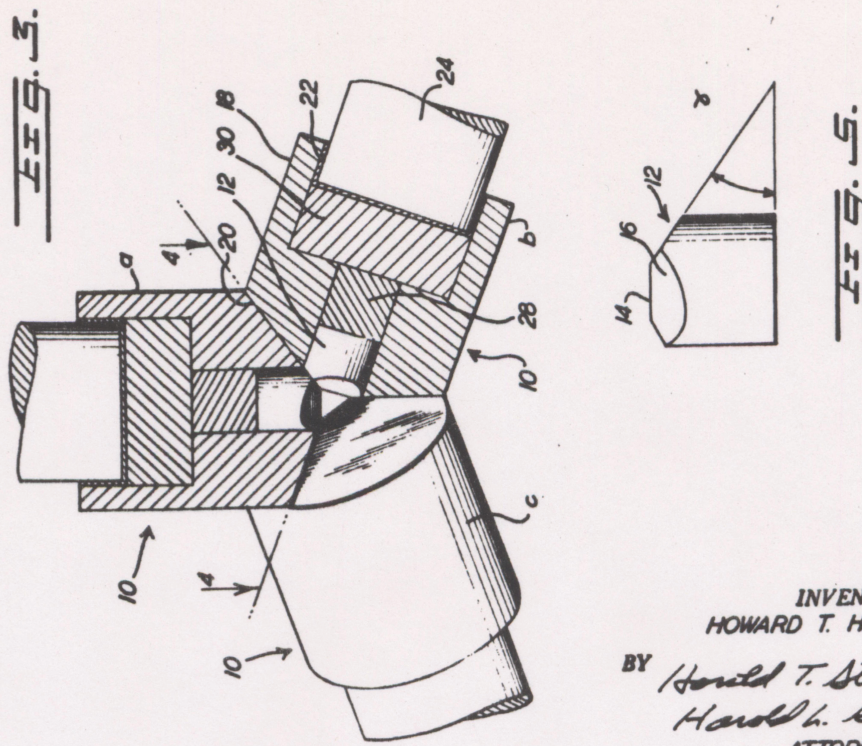
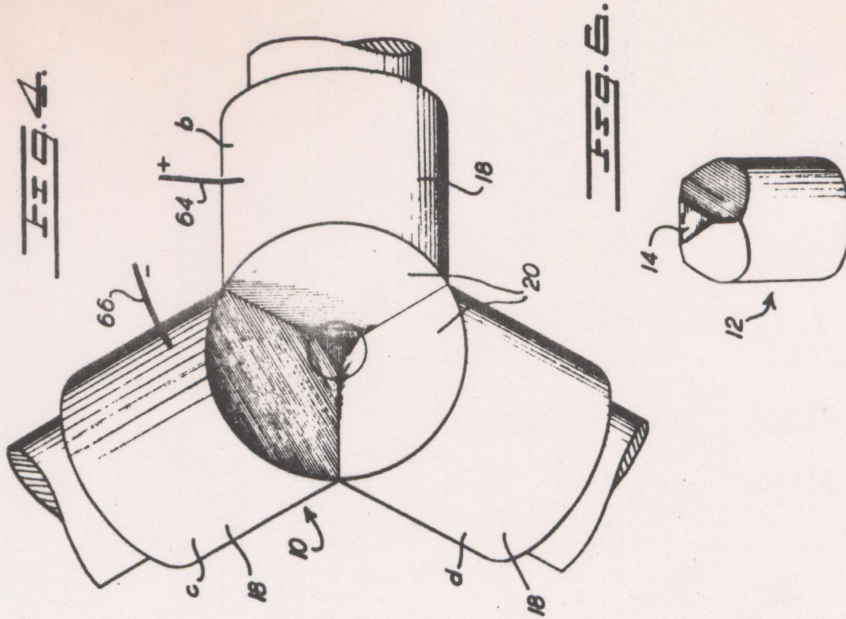
Dec. 29, 1959

H. T. HALL
HIGH PRESSURE PRESS

2,918,699

Filed April 28, 1958

3 Sheets-Sheet 3



INVENTOR.
HOWARD T. HALL
BY *Harold T. Stowell*
Harold L. Stowell
ATTORNEYS

TET-PRESS

Dec. 29, 1959

H. T. HALL

2,918,699

HIGH PRESSURE PRESS

Filed April 28, 1958

3 Sheets-Sheet 1

FIG. 2.

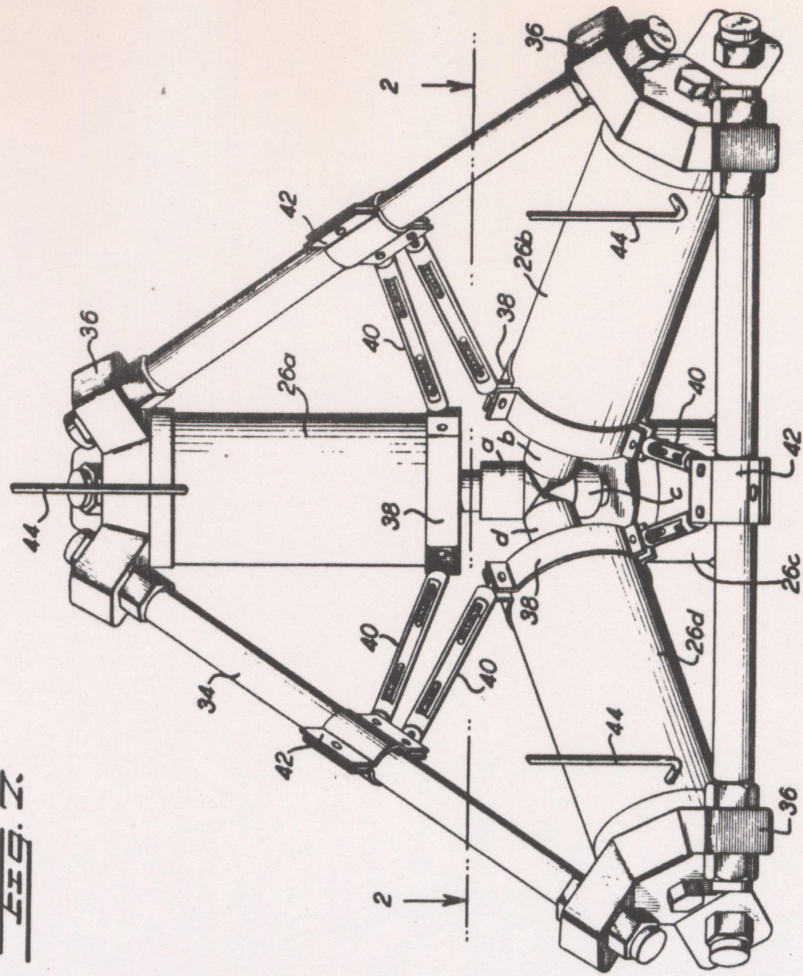
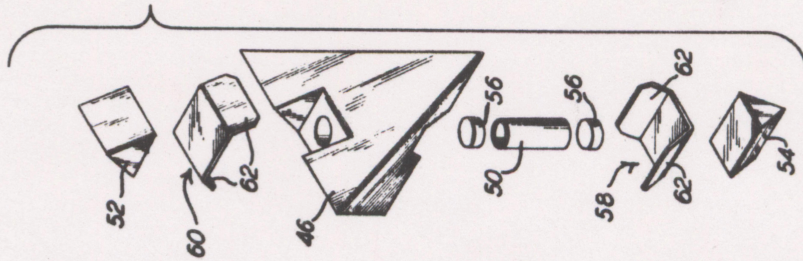


FIG. 3.



INVENTOR.
 HOWARD T. HALL
 BY *Harold L. Stowell*
Harold L. Stowell
 ATTORNEYS